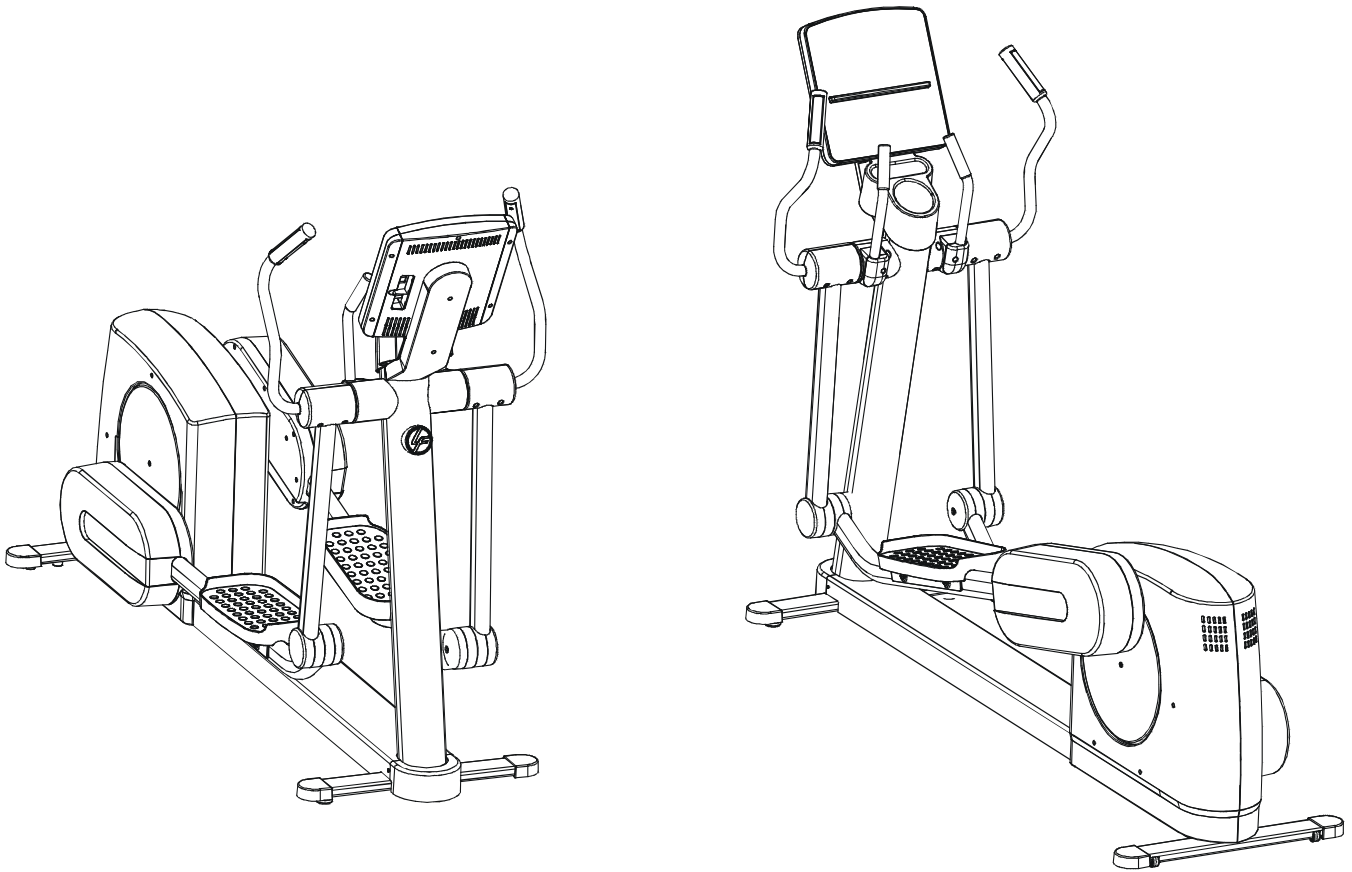


LifeFitness

CROSS-TRAINER 90X-0XXX-01



Customer Support Services
PARTS MANUAL revised 30 Jul 2008

CROSS-TRAINER 90X
REFERENCES

90X-0XXX-01
S/N XTA100000

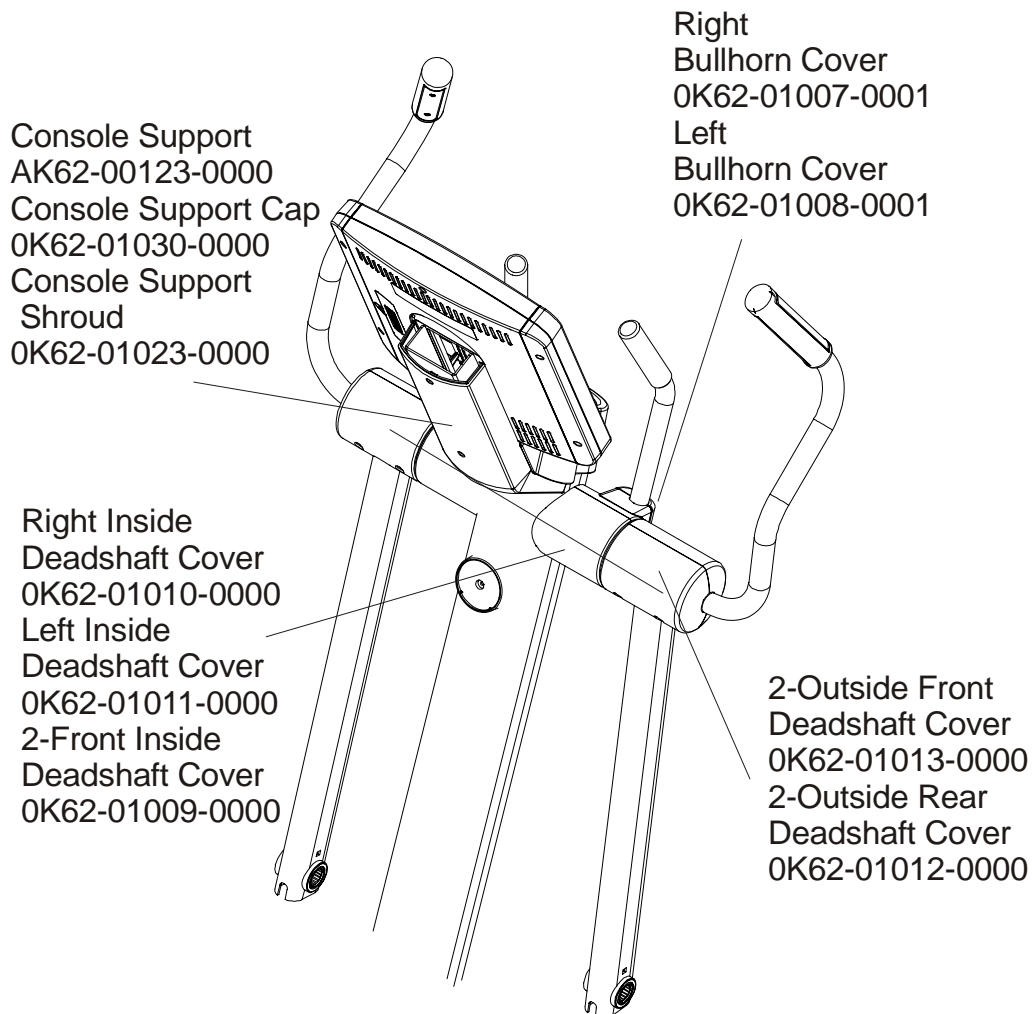
OPERATION MANUAL	M051-00K62-A111
SERVICE MANUAL	M051-00K62-A060
HARDWARE BAG	AK62-00152-0001
Telemetry Kit (Optional)	GK47-00002-0003
PLUG IN OPTION KIT – 120/60	GK62-00002-0018
PLUG IN OPTION KIT – 240/50 UK	GK62-00002-0019
PLUG IN OPTION KIT – 240v AUS	GK62-00002-0020
PLUG IN OPTION KIT - 230/50 CONT	GK62-00002-0021

	Page
CONSOLE SUPPORT & DEADSHAFT COVERS	4
HANDLEBARS AND BULLHORNS	5
CONSOLE AND RELATED COMPONENTS.....	6
UPPER FRAME HARDWARE	7
ROCKER ARMS AND PEDAL LEVERS	8
CRANK COVER AND LOWER CAPS.....	9
LOWER FRAME SHROUDS AND HARDWARE.....	10
PEDAL LEVER COMPONENTS	11
DRIVE MODULE COMPONENTS AND MAIN CABLE	12
DRIVE MODULE HARDWARE.....	13
CABLES.....	14

Note: The 90X Telemetry is an option.

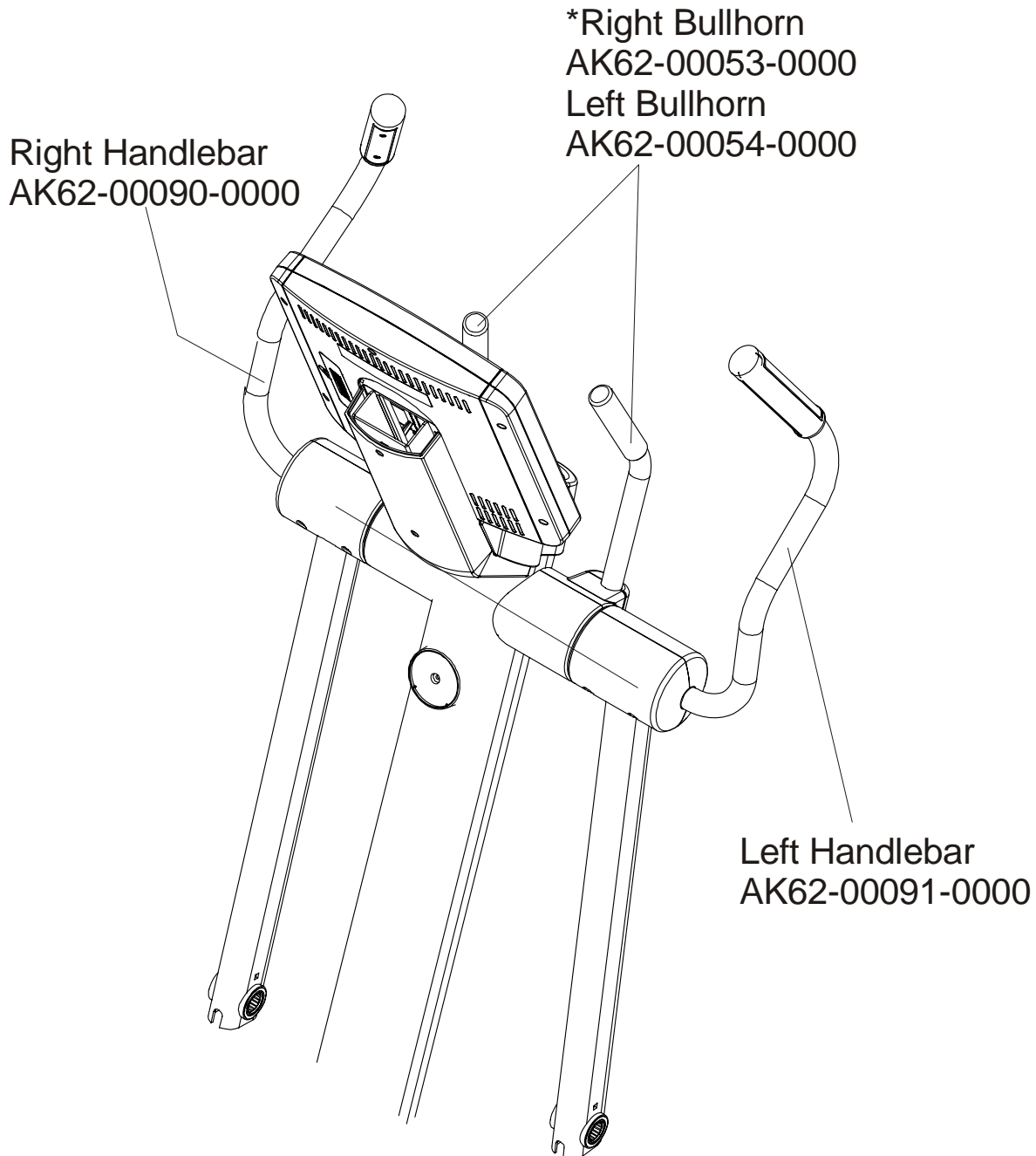
CROSS-TRAINER 90X
Console Support & Deadshaft Covers

90X-0XXX-01
S/N XTA100000



CROSS-TRAINER 90X
Handlebars and Bullhorns

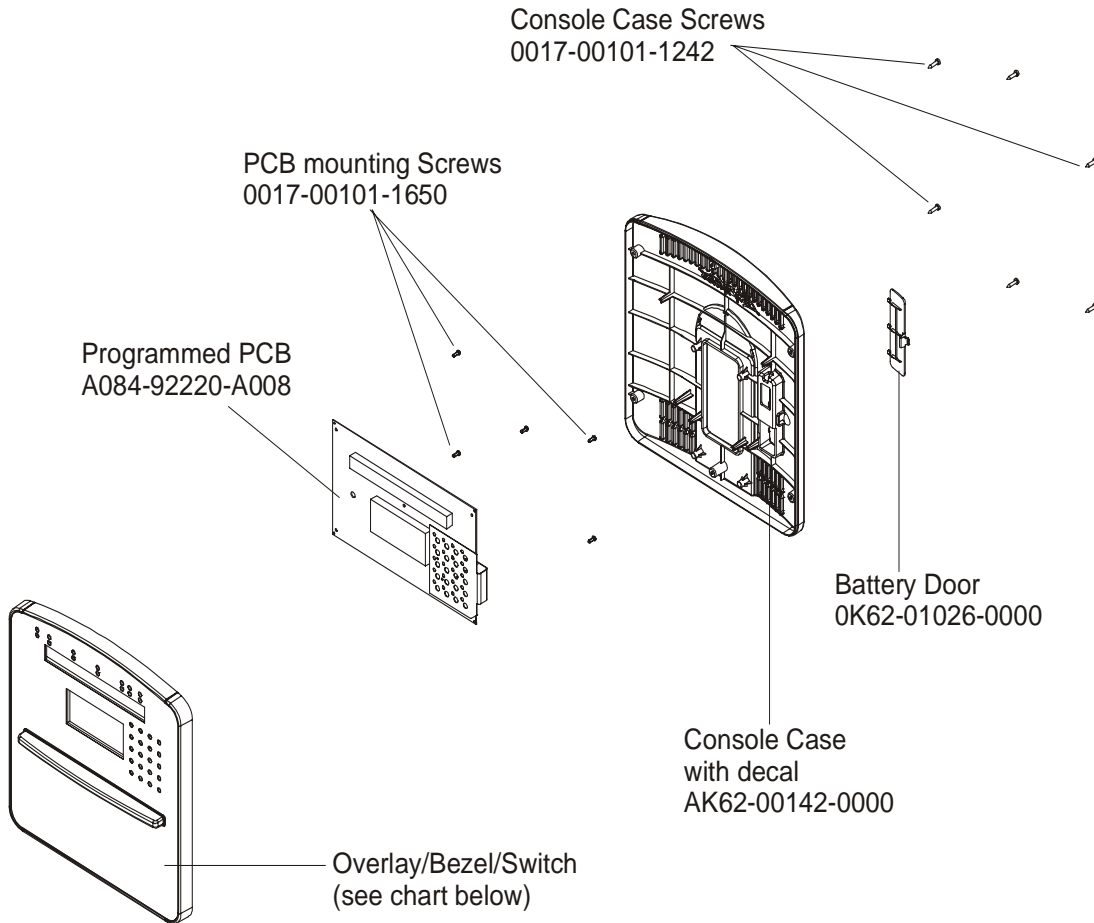
90X-0XXX-01
S/N XTA100000



*Right Bullhorn Assembly consists of: AK62-00057-0000 Bullhorn,
0K62-01136-0000 Grip and 0K62-01199-0001 Gasket
Left Bullhorn Assembly consists of: AK62-00058-0000 Bullhorn,
0K62-01136-0000 Grip and 0K62-01199-0001 Gasket

CROSS-TRAINER 90X
Console & Related components

90X-0XXX-01
S/N XTA100000



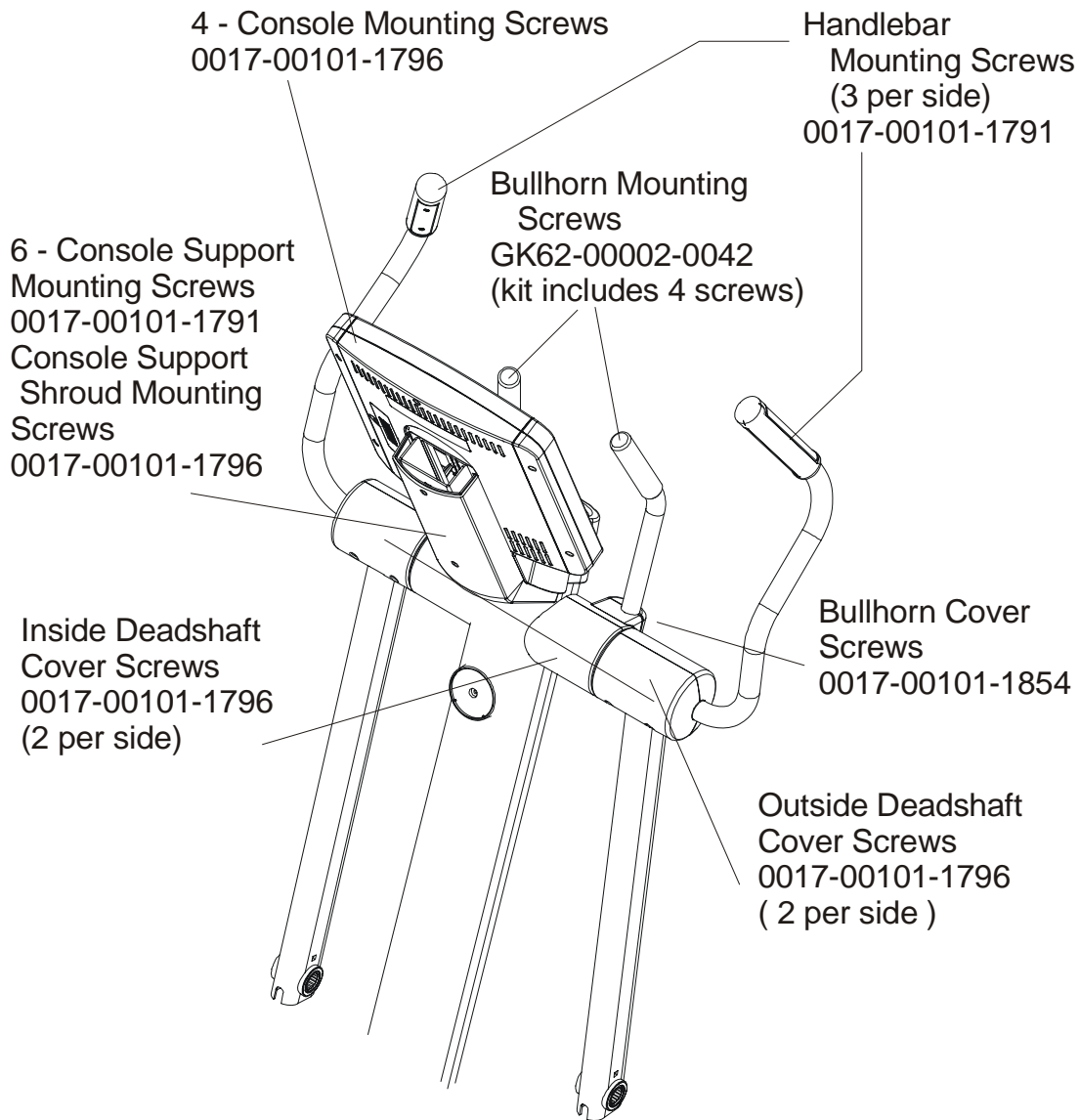
CONSOLE	OVERLAY/BEZEL/SWITCH	LANGUAGE
AK62-00151-0001	AK62-00189-0001	Eng + Met
AK62-00151-0003	AK62-00189-0003	Ger/Met
AK62-00151-0004	AK62-00189-0004	Spn/Met
AK62-00151-0006	AK62-00189-0006	Jap/Met
AK62-00151-0007	AK62-00189-0007	Frn/Met
AK62-00151-0008	AK62-00189-0008	Ital/Met
AK62-00151-0009	AK62-00189-0009	Dut/Met
AK62-00151-0010	AK62-00189-0010	Port/Met

CROSS-TRAINER 90X

90X-0XXX-01

Upper Frame Hardware

S/N XTA100000



Items Not Shown:

Accessory Tray	0K62-01022-0000
Mounting Screws (2)	0017-00101-1846

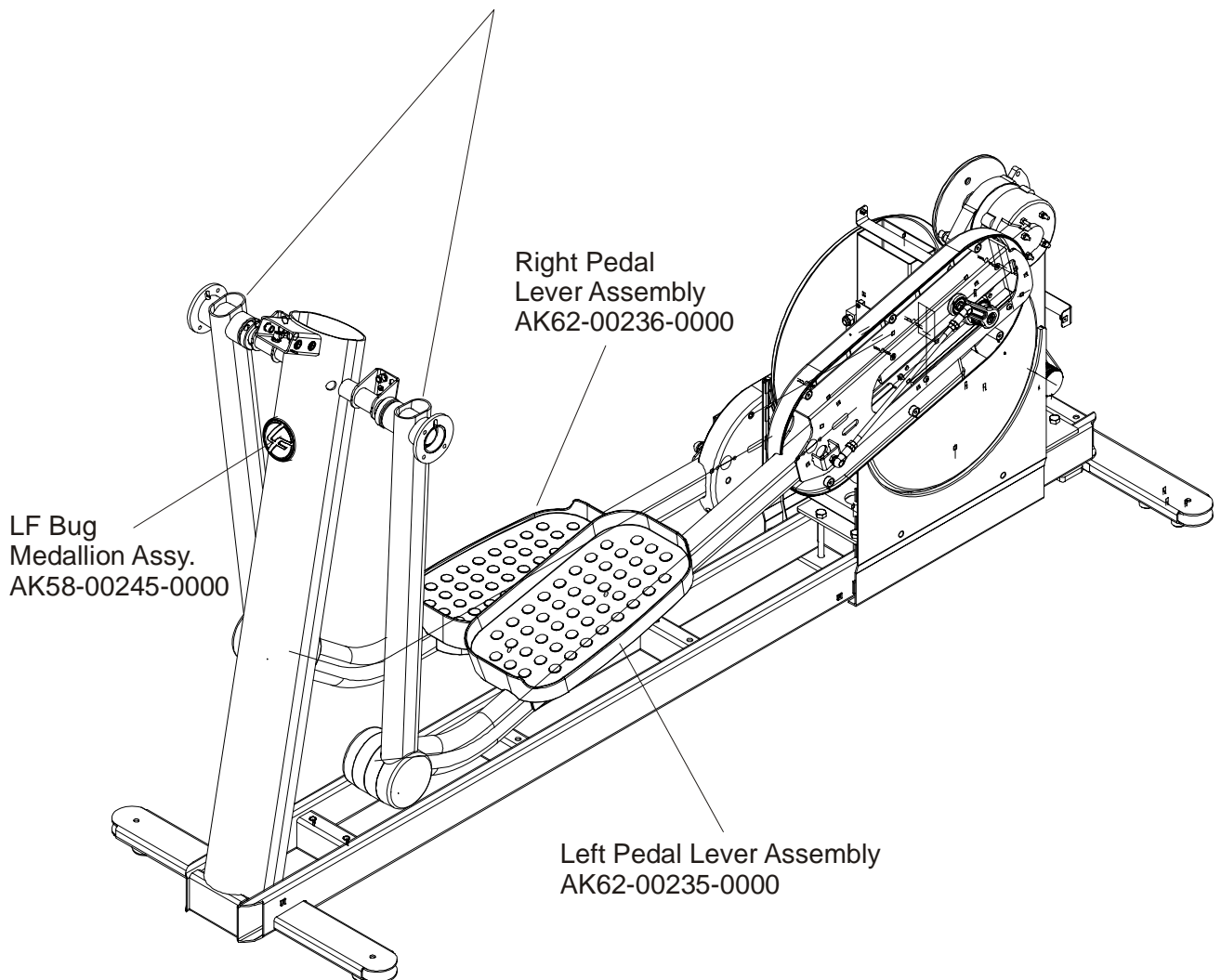
CROSS-TRAINER 90X
Rocker Arms & Pedal Levers

90X-0XXX-01
S/N XTA100000

Rocker Arms Kit
GK62-00002-0070
contents:

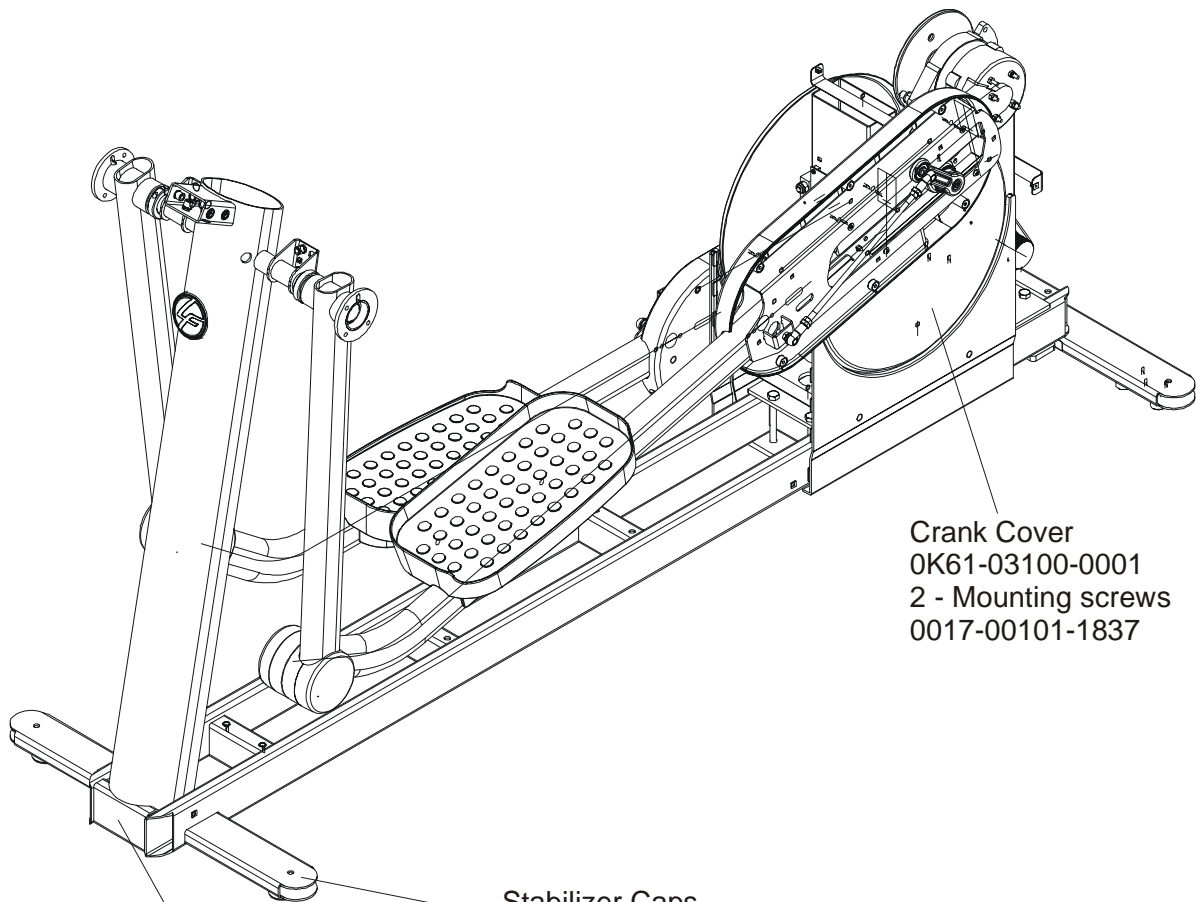
- Rocker Arms (2)
- Hardened Spacers (2)
- Oillite Washers (2)
- Retaining Rings (2)
- Loctite 620*
- Alcohol pad

Rocker Arms
AK62-00002-0070
Shaft Collar w/Screws
OK61-01259-0000



CROSS-TRAINER 90X
Crank Cover and Lower Caps

90X-0XXX-01
S/N XTA100000



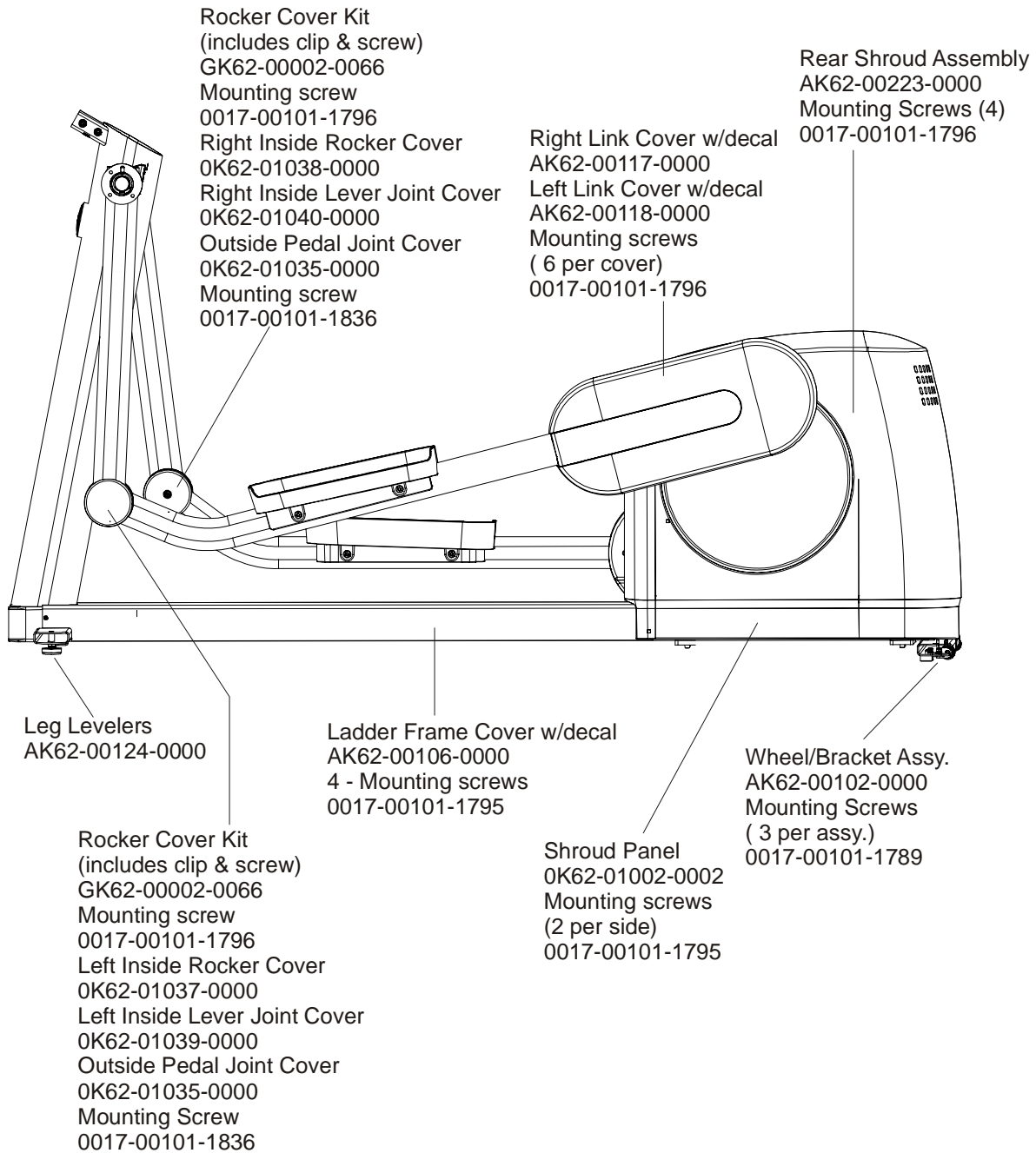
Crank Cover
0K61-03100-0001
2 - Mounting screws
0017-00101-1837

Stabilizer Caps
4 - 0K62-01003-0000

Front frame Cap
0K62-01004-0000
Mounting Screws
(Located on front sides of Ladder Frame Cover)
2- 0017-00101-1795

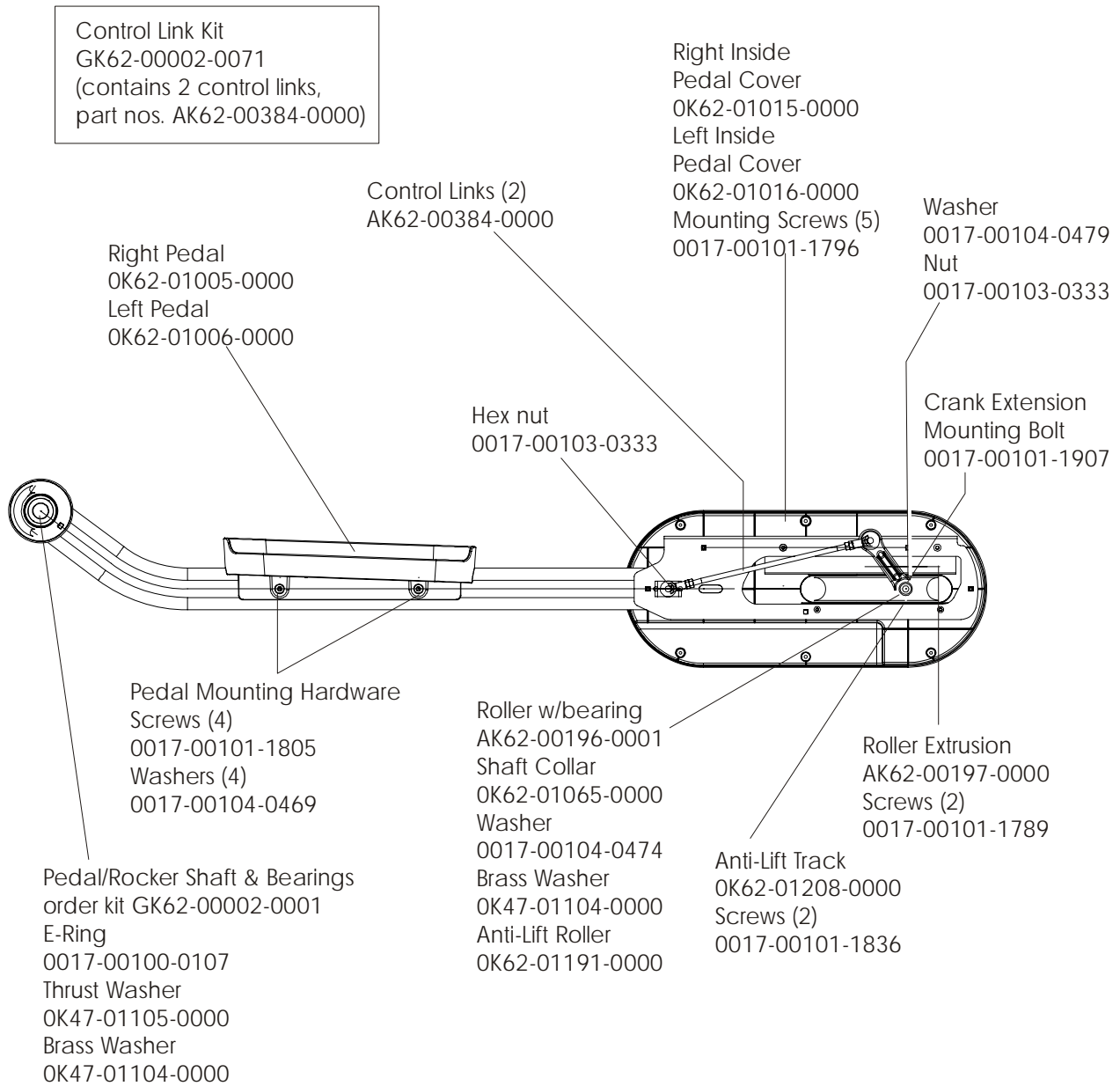
CROSS-TRAINER 90X
Lower Frame Shrouds & Hardware

90X-0XXX-01
S/N XTA100000



CROSS-TRAINER 90X
Pedal Lever Assembly Components

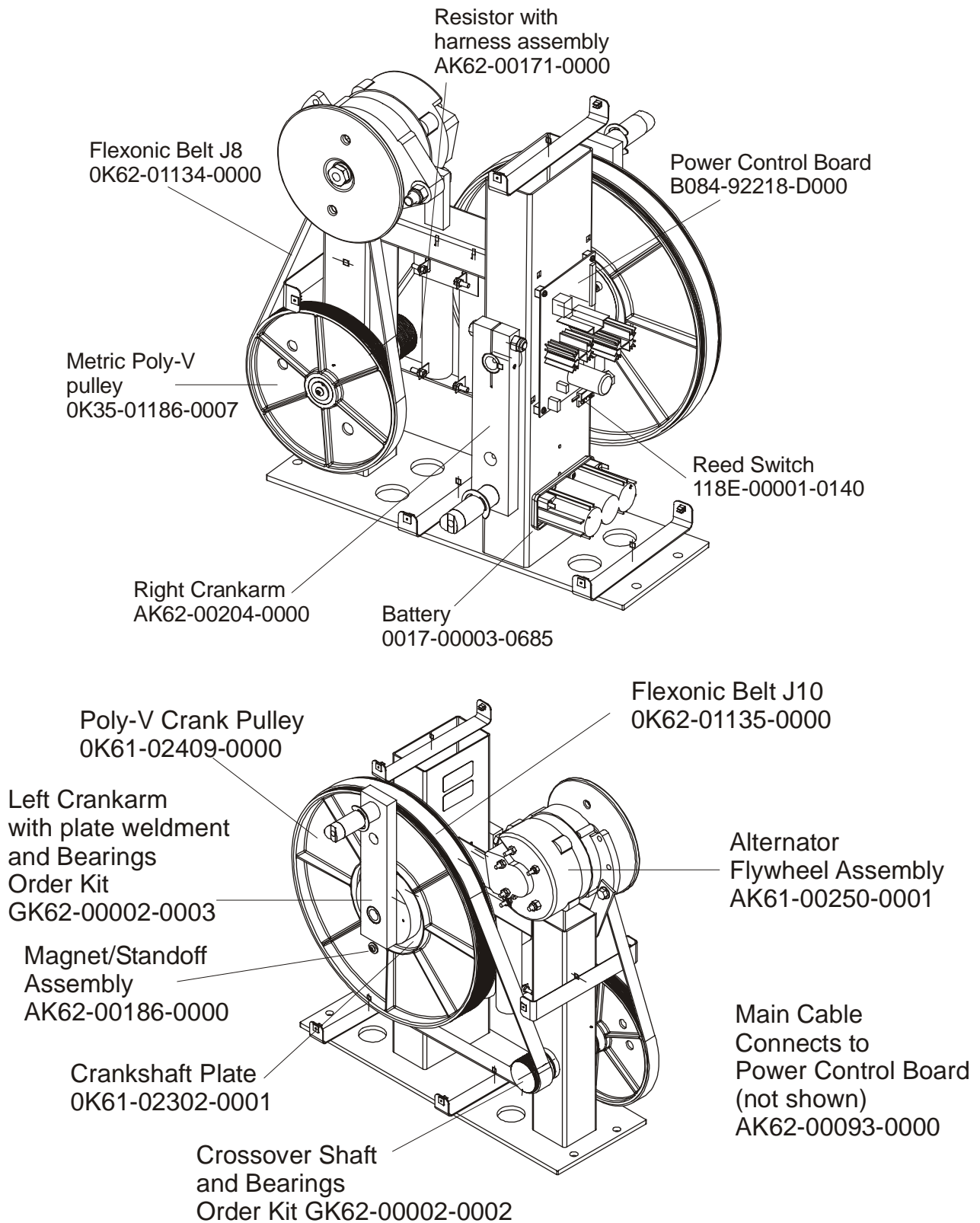
90X-0XXX-01
S/N XTA100000



Note: If replacing the Tie Rod Assembly or Crank Extension for the first time, order kit GK62-00002-0015. Both sides must be replaced simultaneously in this situation.

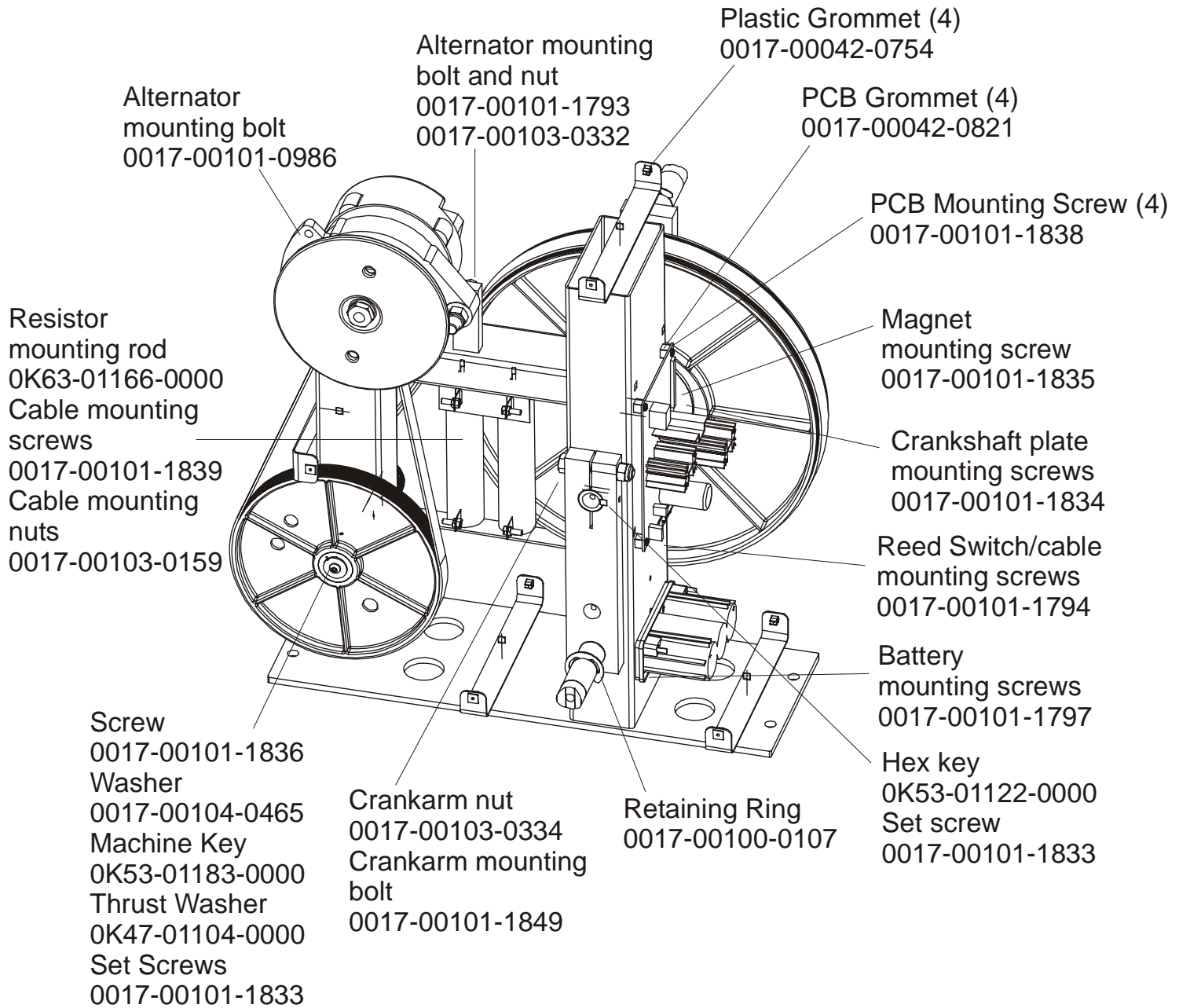
CROSS-TRAINER 90X
Drive Module components & Cable

90X-0XXX-01
S/N XTA100000



CROSS-TRAINER 90X
Drive Module Hardware

90X-0XXX-01
S/N XTA100000



CROSS-TRAINER 90X

Cables

90X-0XXX-01
S/N XTA100000

